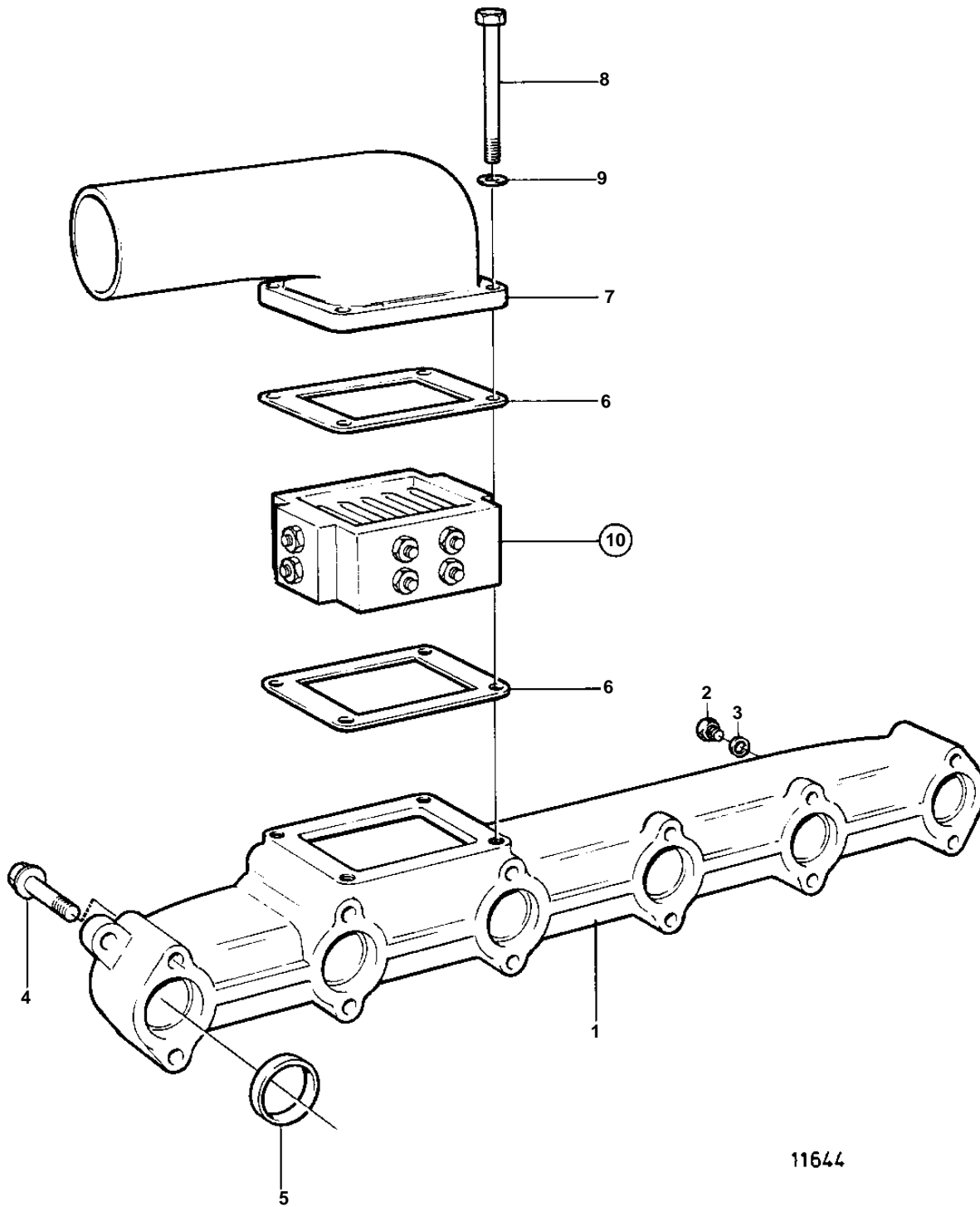


TAD1630V



TAD1630V

REF	PART NO.	QTY	DESCRIPTION	SEE SEC.	NOTES
1	1543909	1	Inlet pipe		
2	960628	1	Plug		
3	18665	1	Gasket		
4	965182	10	Flange screw		M8x80mm
	968892	2	Flange screw		M8x140mm
5	1543172	6	Sealing ring		
6	424618	2	Gasket		
7	865070	1	Connection pipe		
8	965183	4	Flange screw		
9	941907	4	Spring washer		
10		1	Starter element		
				608	